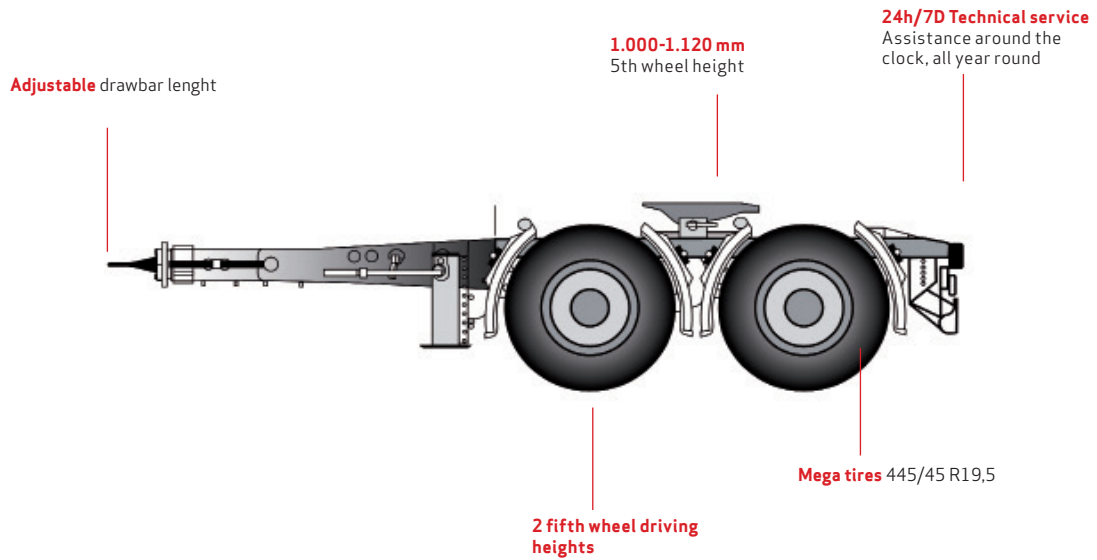


DOLLY 2 HEIGHTS



TECHNICAL SPECIFICATIONS

5th wheel height	1.000/1.120 mm	
5th wheel height drawbar	690 mm	
Own weight	2.800 kg	
Axle load	16.000 kg	Technical 18.000 kg
Kingpin load	16.000 kg	
Total weight	16.000 kg	
Axles	BPW 2 x 9 ton drum brakes	
Wheelbase	3.600 mm (3.350 mm-3.800 mm)	
Distance axles	1.360 mm	
Towing eye	57 mm	
Turn table aioperated	20°	
Tire size	445/45 R 19.5	
Electrical connection	14 pole front, 2x7 pole nato towards trailer	
Air connection	Duomatic front, 2 palm couplings towards trailer	
Document tube		



HERE ARE PNO TRAILERS, DEPOTS AND WORKSHOPS

PNO SVERIGE AB
+46 42-499 15 50
www.pno.se

HELSEBORG

GOTHENBURG

JÖNKÖPING

MALMÖ

SUB-DEPOTS

ÅKERS STYCKEBRUK
ÖREBRO