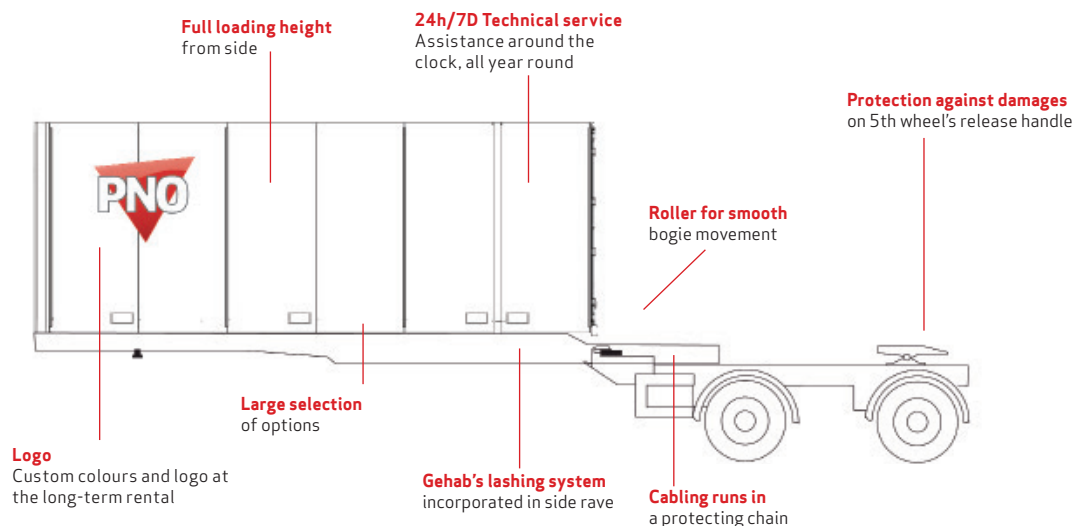


# LINK BOX WITH FOLDABLE SIDE DOORS DOMESTIC



## TECHNICAL SPECIFICATIONS

Length external/internal	7.770 mm/7.660 mm
Width external/internal	2.550 mm/2.480 mm
Height external/internal at a	
5th wheel height of 1.115 mm	4.450 mm/3.000 mm
Loading height side	3.000 mm
Loading length side	7.400 mm
Loading height/width rear doors	3.000/2.415 mm
Overall length in touring position	10.665 mm
5th wheel height, two heights	1.050 mm/1.150 mm
Own weight	7.700 kg
Total weight	36.000 kg
Axle load	20.000 kg
Kingpin load	16.000 kg
Axles	BPW 2x10ton drum brakes
Distance axles	1.820 mm
Brakes	EBS - can router
Tire size	265/70 R19.5
Chassi neck height	180 mm
Roof	85 mm
Front wall	24 mm
Side walls	18 mm
Rear doors	18 mm

## EQUIPMENT

- Lashing rings in side rave
- Ferry shackles
- ADR - sign
- Hardwood floor 28 mm with steel sections
- Interior lighting
- Double espagnolettes back

## OPTIONAL

- Double deck load system
- Band up for easy load lashing
- Load securing rails
- Box without foldable side doors and just rear doors



HERE ARE PNO TRAILERS, DEPOTS AND WORKSHOPS

PNO SVERIGE AB HELSINGBORG GOTHENBURG JÖNKÖPING MALMÖ SUB-DEPOTS  
+46 42-499 15 50 ÅKERS STYCKEBRUK, ÖREBRO  
www.pno.se